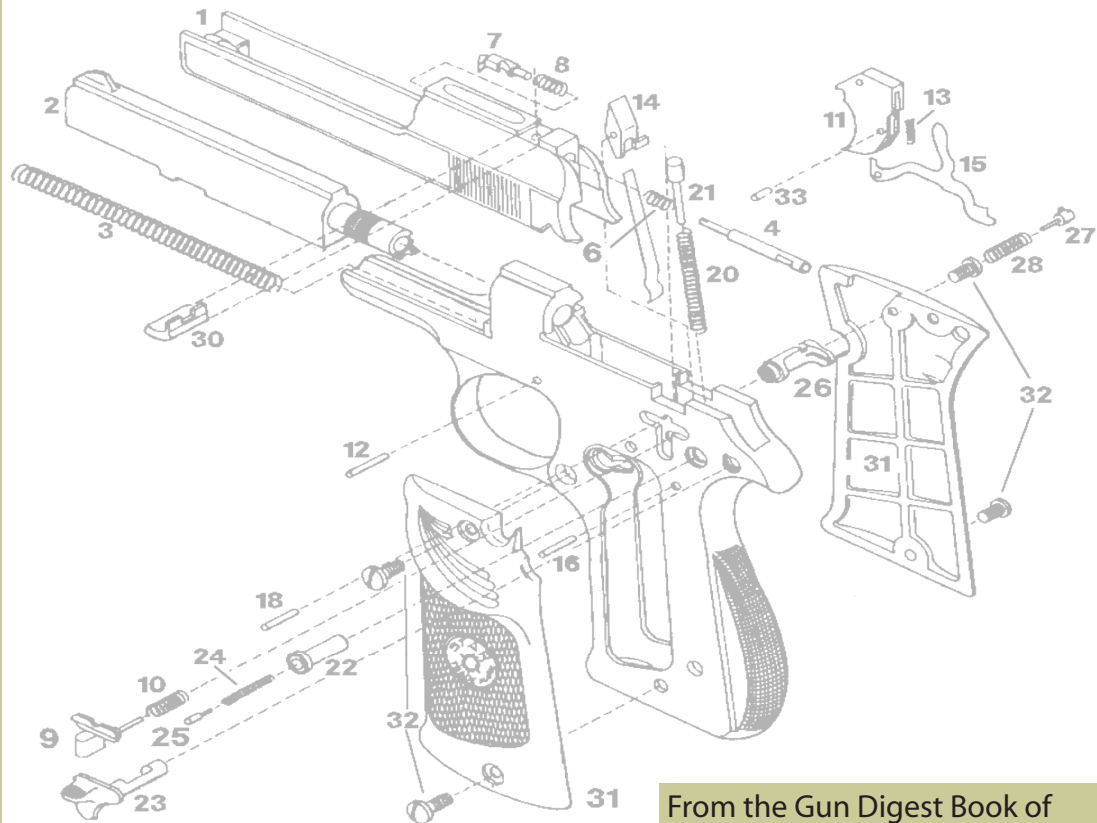




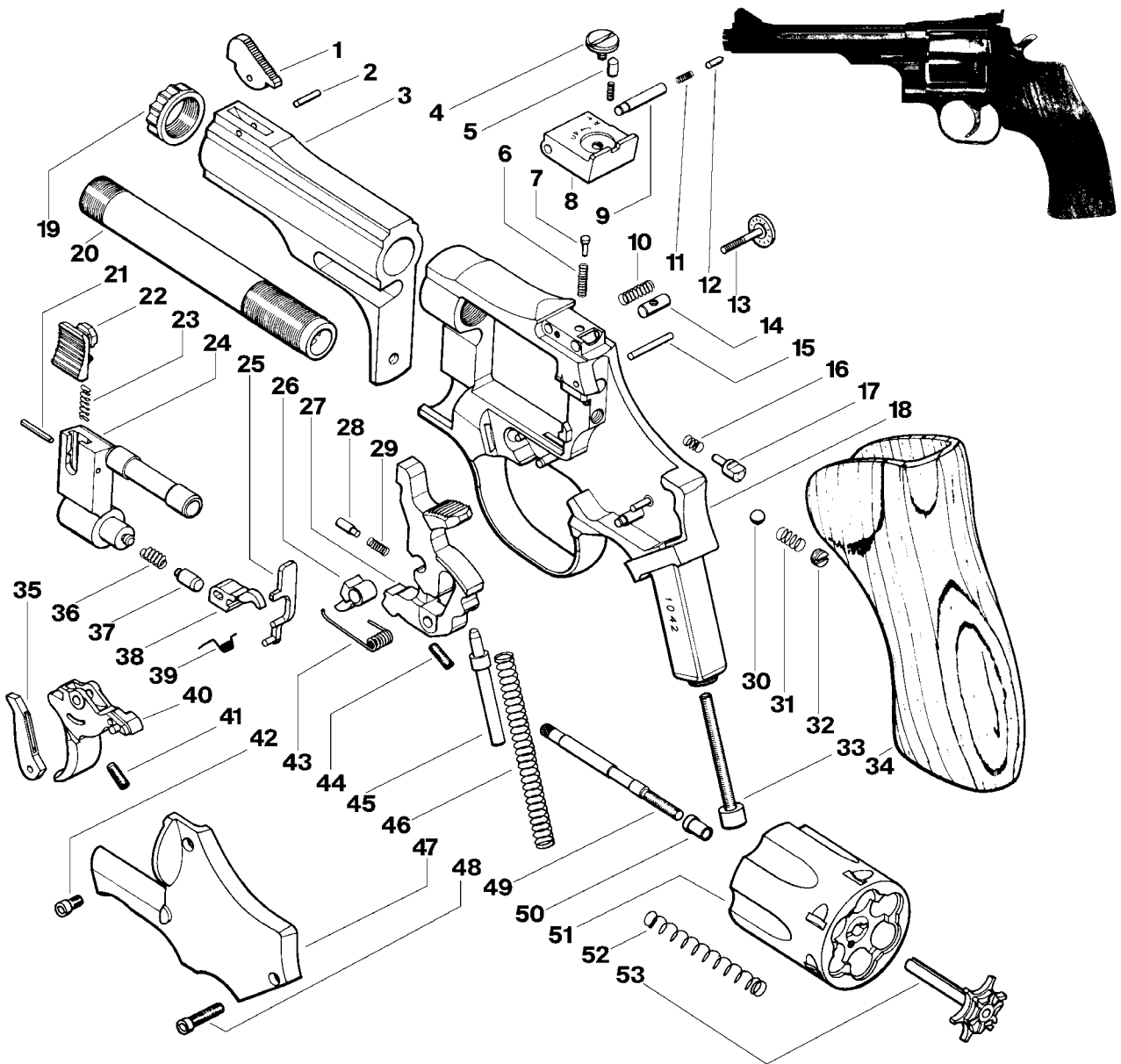
# DAN WESSON HANDGUNS

## Exploded Gun Drawings



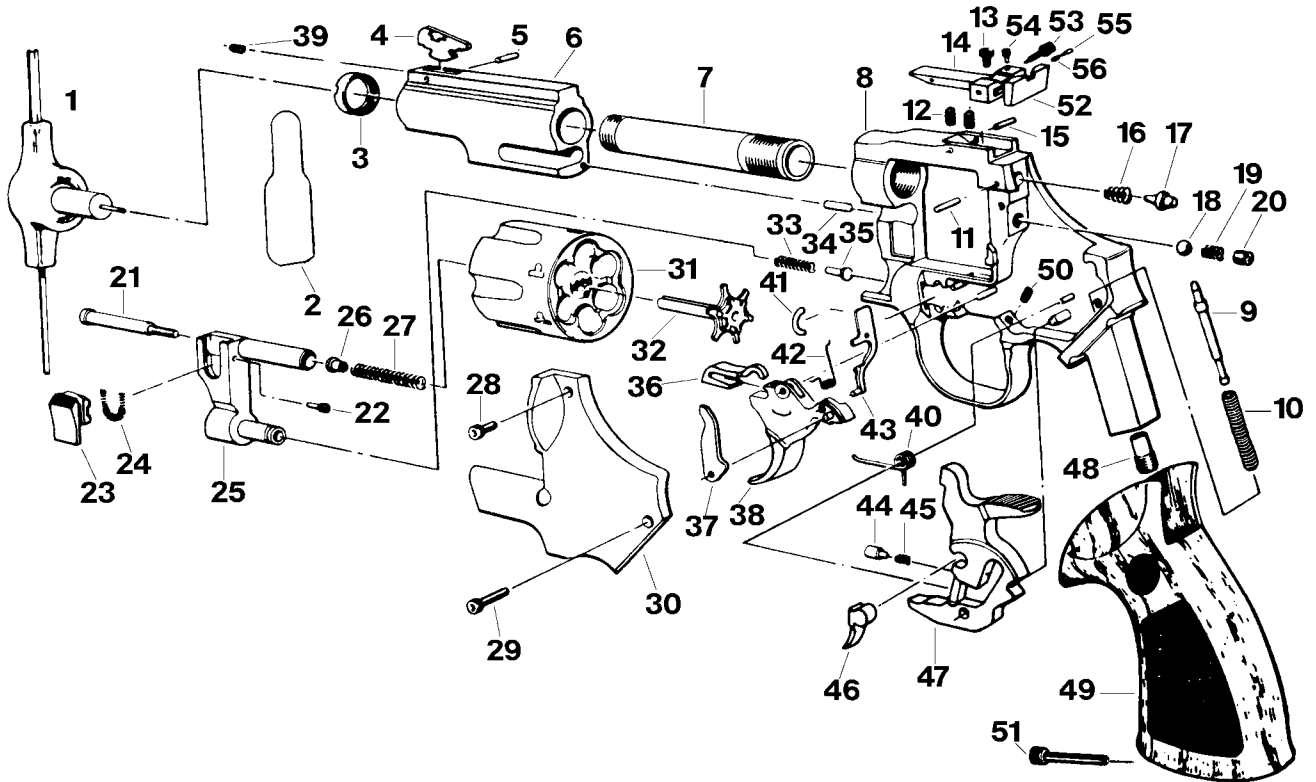
From the Gun Digest Book of  
Exploded Gun Drawings

**Model 12 Revolver**



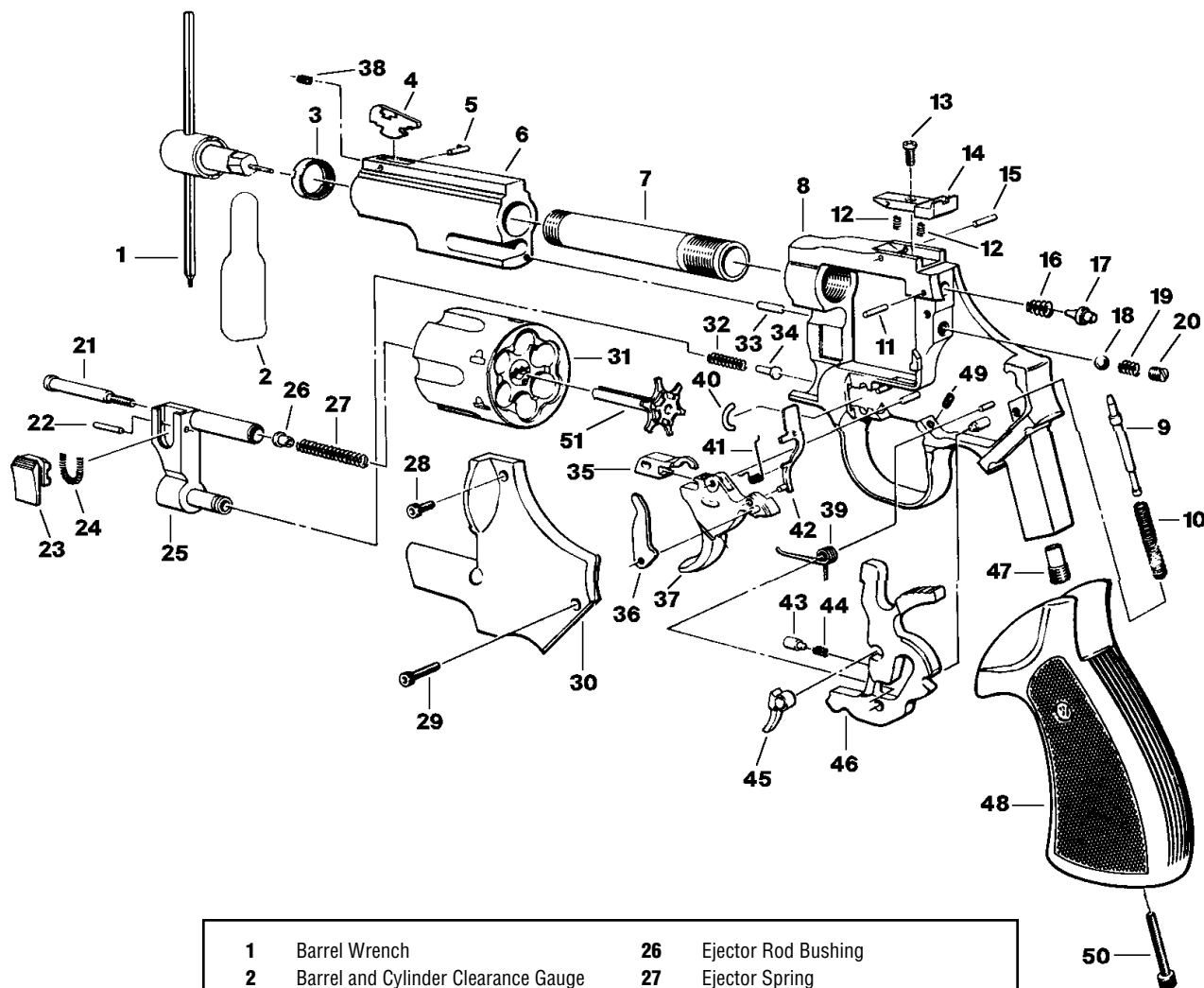
1	Front Sight	19	Barrel Nut	37	Bolt Plunger
2	Front Sight Pin	20	Barrel	38	Bolt
3	Shroud	21	Latch Retaining Pin	39	Hand Spring
4	Elevation Screw	22	Latch	40	Trigger
5	Elevation Click Plunger	23	Latch Spring	41	Trigger Stop Screw
6	Elevation Tension Spring	24	Crane	42	Sideplate Screw, Short
7	Elevation Tension Plunger	25	Firing Pin Connector	43	Trigger Return Spring
8	Rear Sight Body	26	Strut	44	Hammer Pin
9	Hinge Pin	27	Hammer	45	Mainspring Guide
10	Windage Tension Spring	28	Strut Plunger	46	Mainspring
11	Plunger Spring	29	Strut Spring	47	Sideplate
12	Windage Click Plunger	30	Cylinder Aligning Ball	48	Sideplate Screw, Long
13	Windage Screw	31	Aligning Ball Spring	49	Ejector Rod
14	Elevation Nut	32	Aligning Ball Screw	50	Ejector Rod Bushing
15	Firing Pin Retaining Pin	33	Grip Screw	51	Cylinder
16	Firing Pin Spring	34	Grip	52	Ejector Spring
17	Firing Pin	35	Hand	53	Extractor
18	Frame	36	Bolt Spring		

Model 8-2S, 14-2S, 708 and 714 Revolver



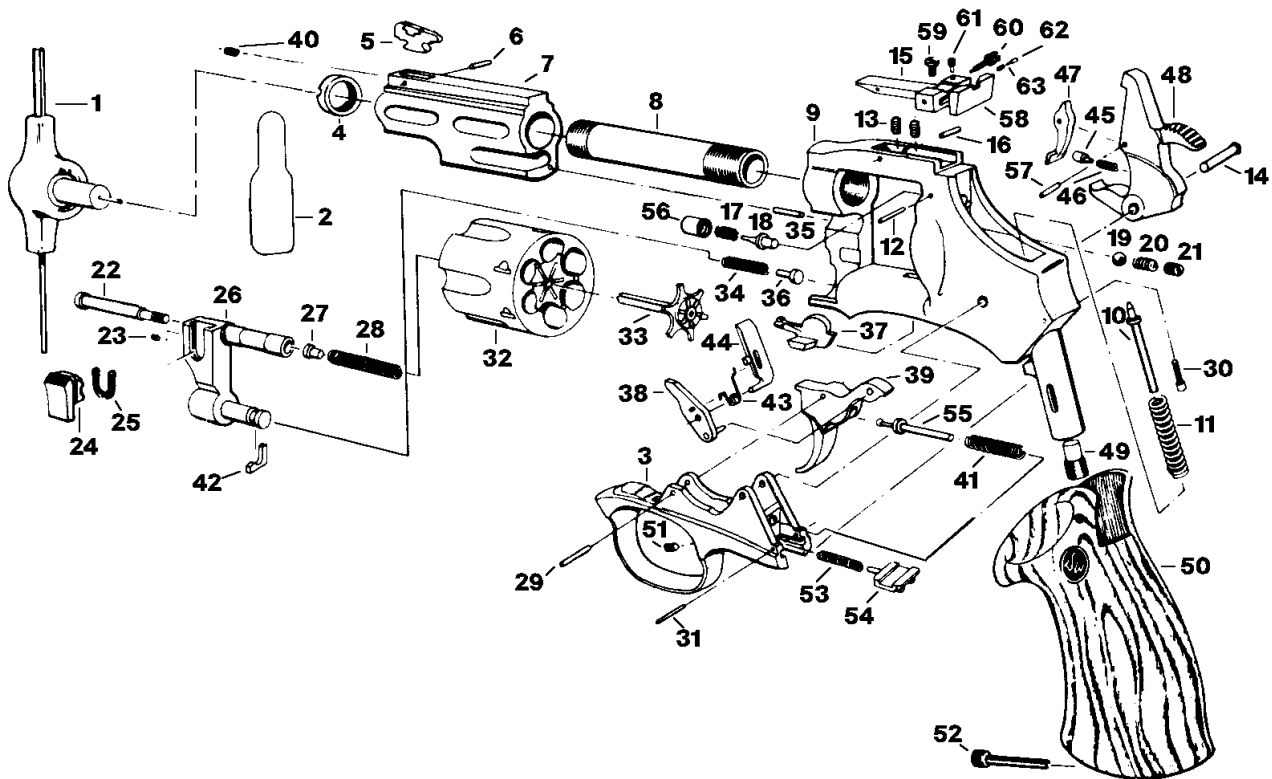
1	Wrench	29	Long Sideplate Screw
2	Gauge, Barrel and Cylinder Clearance	30	Sideplate
3	Barrel Nut	31	Cylinder
4	Front Sight	32	Extractor
5	Front Sight Pin	33	Bolt Spring
6	Shroud	34	Shroud Locating Pin
7	Barrel	35	Bolt Plunger
8	Frame	36	Bolt
9	Mainspring Guide	37	Hand
10	Mainspring	38	Trigger
11	Firing Pin Retaining Pin	39	Front Sight Retaining Screw
12	Rear Sight Elevation Tension Springs	40	Trigger Return Spring
13	Rear Sight Elevation Screw	41	Crane Lock
14	Rear Sight Body	42	Hand Spring
15	Rear Sight Retaining Pin	43	Connector
16	Firing Pin Spring	44	Strut Plunger
17	Firing Pin	45	Strut Spring
18	Cylinder Aligning Ball	46	Strut
19	Cylinder Aligning Ball Spring	47	Hammer
20	Aligning Ball Screw	48	Mainspring Seat
21	Ejector Rod	49	Grip
22	Latch Retaining Screw	50	Trigger Stop Screw
23	Latch	51	Grip Screw
24	Latch Spring	52	Rear Sight Blade
25	Crane	53	Windage Screw Retainer
26	Ejector Rod Bushing	54	Windage Screw
27	Ejector Spring	55	Windage Plunger Spring
28	Short Sideplate Screw	56	Windage Plunger

**Model 8-2, 9-2, 14-2 and 15-2 Revolver**



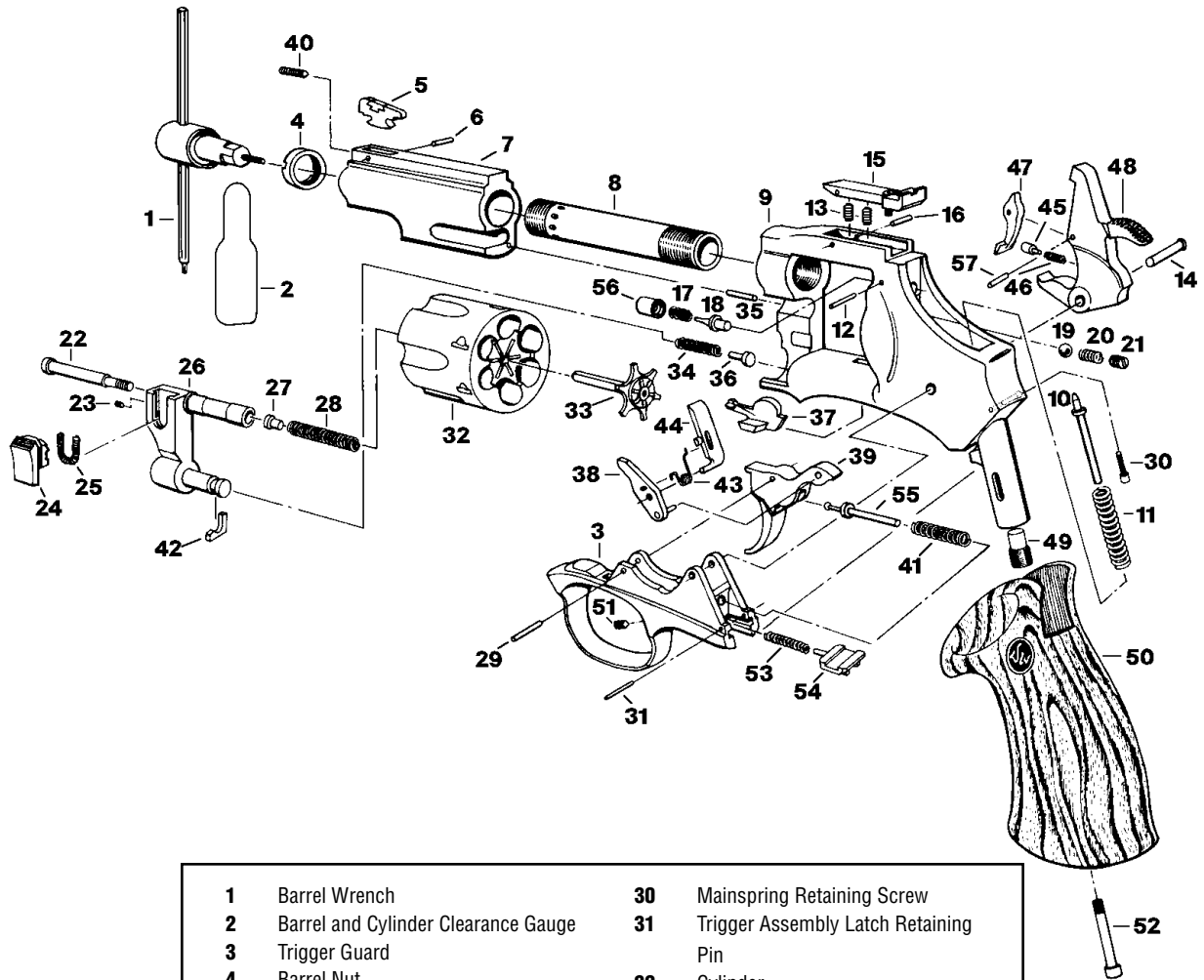
1	Barrel Wrench	26	Ejector Rod Bushing
2	Barrel and Cylinder Clearance Gauge	27	Ejector Spring
3	Barrel Nut	28	Short Sideplate Screw
4	Front Sight	29	Long Sideplate Screw
5	Front Sight Pin	30	Sideplate
6	Shroud	31	Cylinder
7	Barrel	32	Bolt Spring
8	Frame	33	Shroud Locating Pin
9	Mainspring Guide	34	Bolt Plunger
10	Mainspring	35	Bolt
11	Firing Pin Retaining Pin	36	Hand
12	Rear Sight Elevation Tension Springs	37	Trigger
13	Rear Sight Elevation Screw	38	Front Sight Retaining Screw
14	Rear Sight Body	39	Trigger Return Spring
15	Rear Sight Retaining Pin	40	Crane Lock
16	Firing Pin Spring	41	Hand Spring
17	Firing Pin	42	Connector
18	Cylinder Aligning Ball	43	Strut Plunger
19	Cylinder Aligning Ball Spring	44	Strut Spring
20	Aligning Ball Screw	45	Strut
21	Ejector Rod	46	Hammer
22	Latch Retaining Pin	47	Mainspring Seat
23	Latch	48	Grip
24	Latch Spring	49	Trigger Stop Screw
25	Crane	50	Grip Screw
		51	Extractor

**Model 375, 40, 41, 44, 45, 740, 741 and 744 Revolver**



- |    |                                     |    |                                      |    |                               |
|----|-------------------------------------|----|--------------------------------------|----|-------------------------------|
| 1  | Wrench                              | 21 | Aligning Ball Screw                  | 42 | Crane Lock                    |
| 2  | Barrel and Cylinder Clearance Gauge | 22 | Ejector Rod                          | 43 | Hand Spring                   |
| 3  | Trigger Guard                       | 23 | Latch Retaining Screw                | 44 | Connector                     |
| 4  | Barrel Nut                          | 24 | Latch                                | 45 | Strut Plunger                 |
| 5  | Front Sight                         | 25 | Latch Spring                         | 46 | Strut Spring                  |
| 6  | Front Sight Pin                     | 26 | Crane                                | 47 | Strut                         |
| 7  | Shroud                              | 27 | Ejector Rod Bushing                  | 48 | Hammer                        |
| 8  | Barrel                              | 28 | Ejector Spring                       | 49 | Mainspring Seat               |
| 9  | Frame                               | 29 | Trigger Pivot Pin                    | 50 | Grip                          |
| 10 | Mainspring Guide                    | 30 | Mainspring Retaining Screw           | 51 | Trigger Stop Screw            |
| 11 | Mainspring                          | 31 | Trigger Assembly Latch Retaining Pin | 52 | Grip Screw                    |
| 12 | Firing Pin Retaining Pin            | 32 | Cylinder                             | 53 | Trigger Assembly Latch Spring |
| 13 | Rear Sight ElevationTension Springs | 33 | Extractor                            | 54 | Trigger Assembly Latch        |
| 14 | Hammer Pivot Pin                    | 34 | Bolt Plunger Spring                  | 55 | Trigger Return Spring Guide   |
| 15 | Rear Sight Body                     | 35 | Shroud Locating Pin                  | 56 | Firing Pin Bushing            |
| 16 | Rear Sight Retaining Pin            | 36 | Bolt Plunger                         | 57 | Strut Pivot Pin               |
| 17 | Firing Pin Spring                   | 37 | Bolt                                 | 58 | Rear Sight Blade              |
| 18 | Firing Pin                          | 38 | Hand                                 | 59 | Elevation Screw               |
| 19 | Cylinder Aligning Ball              | 39 | Trigger                              | 60 | Windage Screw                 |
| 20 | Cylinder Aligning Ball Spring       | 40 | Sight Retaining Screw                | 61 | Windage Screw Retainer        |
|    |                                     | 41 | Trigger Return Spring                | 62 | Windage Plunger               |
|    |                                     |    |                                      | 63 | Windage Plunger Spring        |

**Model 44 Revolver**



1	Barrel Wrench	30	Mainspring Retaining Screw
2	Barrel and Cylinder Clearance Gauge	31	Trigger Assembly Latch Retaining Pin
3	Trigger Guard	32	Cylinder
4	Barrel Nut	33	Extractor
5	Front Sight	34	Bolt Plunger Spring
6	Front Sight Pin	35	Shroud Locating Pin
7	Shroud	36	Bolt Plunger
8	Barrel	37	Bolt
9	Frame	38	Hand
10	Mainspring Guide	39	Trigger
11	Mainspring	40	Sight Retaining Screw
12	Firing Pin Retaining Pin	41	Trigger Return Spring
13	Rear Sight Elevation Tension Springs	42	Crane Lock
14	Hammer Pivot Pin	43	Hand Spring
15	Rear Sight Body	44	Connector
16	Rear Sight Retaining Pin	45	Strut Plunger
17	Firing Pin Spring	46	Strut Spring
18	Firing Pin	47	Strut
19	Cylinder Aligning Ball	48	Hammer
20	Cylinder Aligning Ball Spring	49	Mainspring Seat
21	Aligning Ball Screw	50	Grip
22	Ejector Rod	51	Trigger Stop Screw
23	Latch Retaining Screw	52	Grip Screw
24	Latch	53	Trigger Assembly Latch Spring
25	Latch Spring	54	Trigger Assembly Latch
26	Crane	55	Trigger Return Spring Guide
27	Ejector Rod Bushing	56	Firing Pin Bushing
28	Ejector Spring	57	Strut Pivot Pin
29	Trigger Pivot Pin		